



The "X-Family" Controllers

A versatile range to
control Industrial
Weighing Processes

In control – with the “X-Family”

Unrivalled product quality and economy

Sartorius Hamburg is one of the most important manufacturers of industrial weighing equipment worldwide. As a first class supplier, we have more than 50 years of experience in industrial process weighing technology. Our high standards of quality and manufacturing are well known in the industrial market. Sartorius products have always been among the best available, proving in everyday use their reliability, robustness and accuracy. Offering a maximum of functionality at an economic price, this new generation of controllers sets a high standard for control and display electronics in the industrial area.

Packed with features

At Sartorius, we understand the importance of ease of operation. That's why we've included a number of thoroughbred features in our “X-Family” Controllers, enabling the utmost ease of handling.

The intelligent design concept offers useful functions to ensure smooth, low-maintenance operation and simple every day handling.

- A multitude of inbuilt applications offer simple solutions for processes such as batching, recipe control, filling, loss-in-weight or truck scales.
- The intuitive menus and clear keyboard design allows easy operation, even without the manual.
- The controllers offer a variety of mounting and installation options, such as desktop or panel mounting.

Powerful functions for the “X-Family”

Right from installation and commissioning, inbuilt functions enable smooth mounting and trouble-free operation, ensuring the safety of your plant and processes, with unrivalled product quality and economy.



Our experienced specialists have developed a large number of practical features to enhance the ease of use and your process control.

- **SmartCal** allows scale commissioning without time-consuming calibration with test weights.
- **FlashIt** enables software updating at any time: the process functionality is always state-of-the-art.
- **LayoutIt** provides utmost ease of layout design for delivery notes, reports or labels.
- **DisplayIt** offers the possibility to display and operate the controllers of the "X-Family" on a PC.
- **RecoverIt** allows to backup all data of the system controllers.
- **AccessIt** offers the possibility to store, display and edit all tables of the system controllers on a PC.

HighTech and innovations for better command of the process

Due to a manufacturer-independent programming concept, all Sartorius Controllers can be matched easily and conveniently to a large variety of requirements. A worldwide standard programming language according to IEC 61131 with extensive library functions and specific weighing variables gives access to the full functions of the instrument.

The "X-Family" of Sartorius offers the widest range of communication possibilities ever available for a scale. Application in partial processes or within autonomous systems frequently requires extensive communication of control commands or of weighing and related data. Connection to all commercially available fieldbus systems ensures uncompromising integration into different control and superordinate systems. Additionally, an optional Ethernet interface permits connection with a supervisory PC.



Three controllers – one great concept

X4 Process Controller

The programmable Process Controller built into a compact housing, for simple integration into process solutions.

With a front dimension of 196x92 mm, the X4 offers easy mounting to enclosures, panels and operating stations. It also enables the exchange of existing devices.

Approved for W&M applications the X4 Process Controller offers in addition to the basic weighing functions a variety of interfaces and communication functions including industrial fieldbuses as options.

The robust X4 Process Controller follows a coherent operation concept. The weight display with 7 digits guarantees good readability even under harsh conditions. Softkeys guide the operator through the menus of the application.

The input of alphanumerical characters uses a second level of the keys. An external PC-keyboard socket enables ease of data entry if required.

X5 System Controller

The flexible design of the X5 System Controller means it can be used either as a desktop or panel mounted model.

The stainless steel housing offers a high degree of protection (IP65, eq. to NEMA 4x). Models for use in Zone 2, 22 (ATEX) or class I, Div 2 (FM) are available.

The powerful X5 controller is available with predefined applications or can be freely programmed using IEC61131.

If used for control of filling and dosing processes, for raw material and product storage applications or for truck scales – the X5 System Controller offers an economical solution to your process, even for individually defined tasks with one or two weighing points.

A connection to a host system can be realised in a flexible and economic manner.

The operation is intuitive either via the front keypad or an external PC-keyboard. The X5 System Controller can also be operated via serial interface or an Ethernet connection from a PC using our DisplayIt program.

X6 System Weighing Controller

The ultimate solution for all-purpose use in the industrial process world.

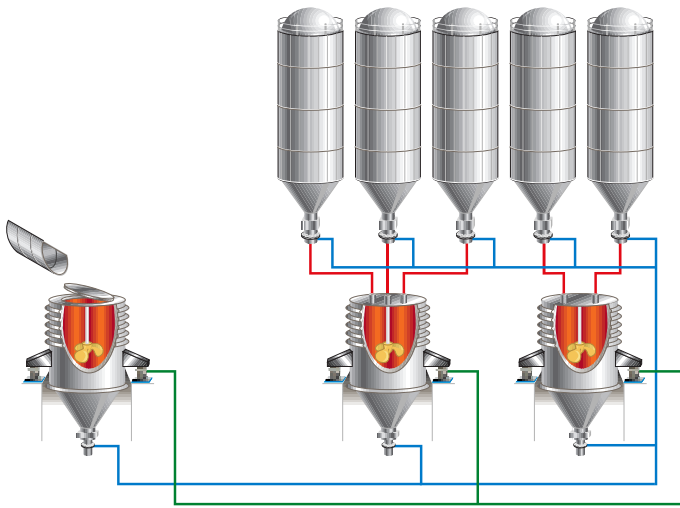
The typical industrial 19"- housing contains an excellent high-readability display and a full alphanumerical keyboard. This offers easy data input, as well as a comfortable editing and configuration at the device. All the connectors are plug-in types and are located on the backpanel for easy mounting and accessibility.

A variety of applications are available for the X6 System Weighing Controller, which can be adapted easily to your process demands. i.e. IBC-Controller, BATCH-Controller, FLOW-Controller, FILL-Controller and TRUCK-Controller etc. The choice of two load cell supply voltages enhances the flexibility for W&M applications.

Already the PRO-X6 offers a comfortable configuration for the inputs and outputs and can act as front end device with a host PC. It is perfectly designed for engineering companies and machine builders to develop their own applications.



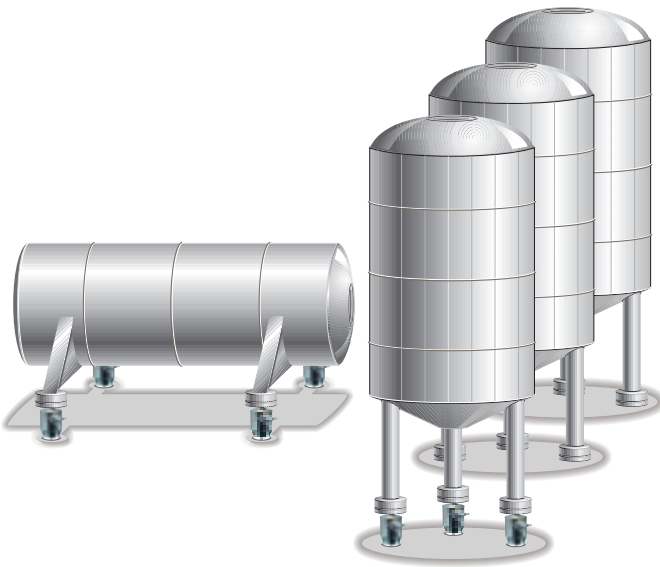
State-of-the-art system technology for all requirements



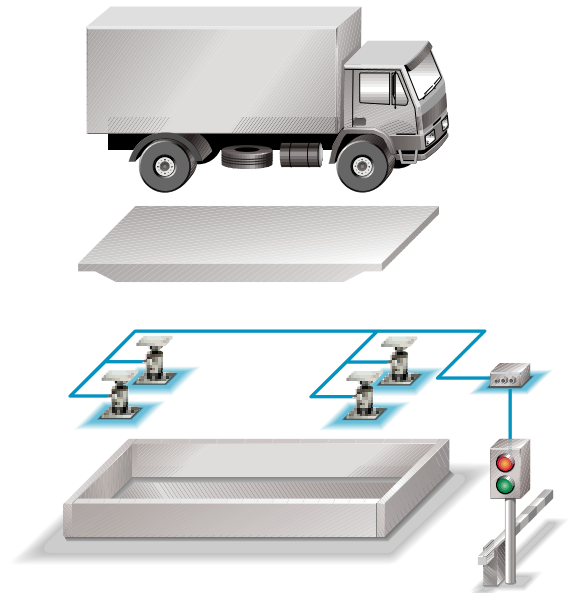
Flow/Batch/Recipe control



Filling and discharge processes



Raw material and product storage



Truck scales

Sartorius Hamburg GmbH
Meiendorfer Straße 205
22145 Hamburg, Germany

Telefon +49.40.67960.303
Fax +49.40.67960.383

www.sartorius.com

Forhandling i Danmark:

GLOBAL Weighing A/S

Tlf.: 4776 0430

www.global-weighing.dk