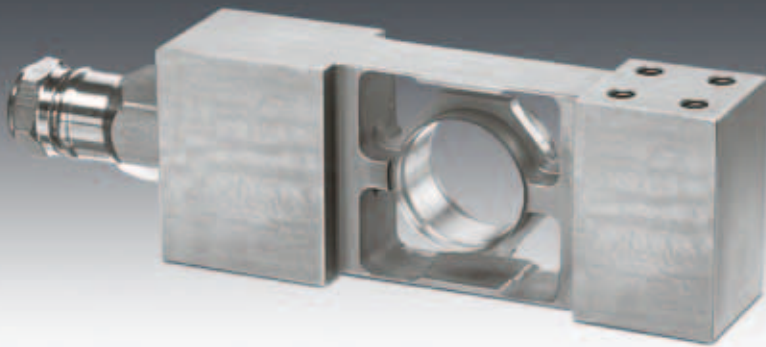


Stainless Steel Single Point Load Cell MP 55



11 kg ... 200 kg Type C3MR+

- Full stainless steel construction
- Hermetically welded seal (IP68, IP69K)
- Approved to OIML R60
- Ex-Version available (MP55/...E)
- High Input Impedance
- Single Point platform (max. size see table)
- Integrated Mounting spacer

Applications

- Bench Scales
- Counting Scales
- Check Weighing Systems

Technical Data		C3MR+	
Accuracy class		0.02	% E_{max}
Maximum capacity	E_{max}	s. table	
Max. usable load	E_u	200	% E_{max}
Destructive load	E_d	> 300	% E_{max}
Safe side load	E_{lq}	100	% E_{max}
Minimum LC verification interval $v_{min} = E_{max}/Y$	Y	20,000 22,000 (11 kg; 2.2 kg) 22 kg	
Rated output	C_n	2.0 2.2 (11 kg; 22 kg)	mV/V
Tolerance on rated output	d_c	≤ 5.0	% C_n
Zero output signal	S_{min}	≤ 5.0	% C_n
Creep, during 30 min.	d_{cr}	≤ 0.016	% C_n
Temperature effect on S_{min}	$TK_{S_{min}}$	≤ 0.006	% $C_n/10K$
Temperature effect on C	TK_C	≤ 0.010	% $C_n/10K$
Input impedance	R_{LC}	1100 ± 50	Ω
Output impedance	R_O	960 ± 50	Ω
Insulation impedance	R_{IS}	> 5,000	MΩ
Recommended supply voltage	B_u	5 ... 15	V
Maximum supply voltage	U_{max}	15	V

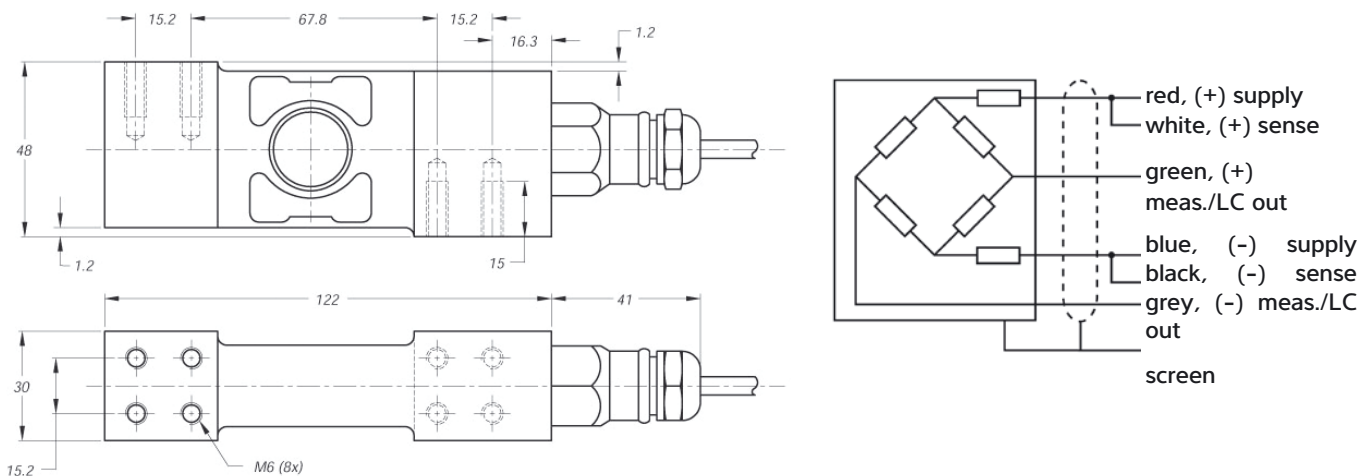
Technical Data

C3MR+

Nominal ambient temperature range	B_T	-10 ... +40	° C
Usable ambient temperature range	B_{TU}	-40 ... +80	° C
Nominal deflection	S_{nom}	0.17 (11 kg) ... 0.25 (200 kg)	mm
Cable length		3.5	m

Environmental protection IP68, IP69K

The technical data given here serve only as a product description and must not be interpreted as guaranteed characteristics in the legal sense.



Order information

Type	Order number	Type	Order number	Max. capacity E_{max}	Max. platform size
MP 55/11kgC3MR+	9408 255 08011	MP 55/11kgC3MR+E	9408 655 08011	11 kg	350 mm + 350 mm
MP 55/22kgC3MR+	9408 255 08022	MP 55/22kgC3MR+E	9408 655 08022	22 kg	350 mm + 350 mm
MP 55/50kgC3MR+	9408 255 08050	MP 55/50kgC3MR+E	9408 655 08050	50 kg	450 mm + 450 mm
MP 55/100kgC3MR+	940825508110	MP 55/100kgC3MR+E	940865508110	100 kg	600 mm + 600 mm
MP 55/200kgC3MR+	940825508120	MP 55/200kgC3MR+E	940865508120	200 kg	600 mm + 600 mm

Certificate of conformity

MP 55 (optional)

Ex-Zone 2, 22
II 3G Ex nA II T6
II 3D Ex tD A22 IP65 T85°C

MP 55/..E

Ex-Zone 0, 1, 20, 21
II 1G Ex ia IIC T6|T5 Ga
II 1D Ex ia IIIC IP67 T100°C
Da