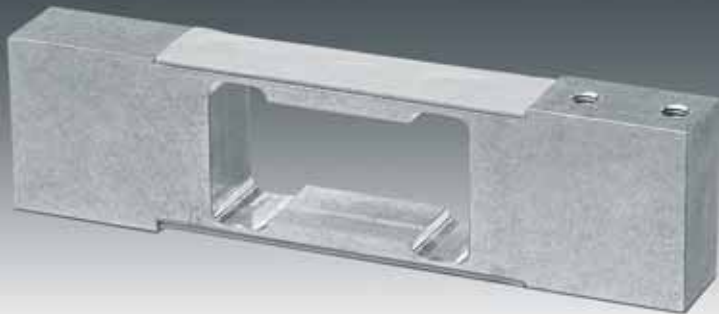


Single Point Load Cell MP 71



5 kg ... 200 kg

- Aluminium alloy construction
- Compatible with other sources
- Single point 400 mm + 400 mm platform
- Approved according to OIML R60

Applications

- Bench Scales
- Counting Scales
- Check Weighing Systems

Technical Data		C3MR	
Accuracy class (Combined error)		0.020	% C _n
Maximum capacity	E _{max}	5 10 20 30 50 100 200	kg
Maximum usable load	E _u	150	% E _{max}
Destructive load	E _d	≥ 300	% E _{max}
Safe side load	E _{sq}	100	% E _{max}
Maximum number of LC intervals	n _{LC}	3,000	
Minimum LC verification interval v _{min} = E _{max} Y Y		15,000	
Rated output	C _n	2.0	mV/V
Tolerance on rated output	D _c	< ± 10	% C _n
Zero output signal	S _{min}	< ± 5	% C _n
Creep, during 30 min.	d _{cr}	< ± 0.016	% C _n
Temperature effect on S _{min}	TK _{Smin}	< ± 0.009	% C _n / 10 K
Temperature effect on C	TK _C	< ± 0.010	% C _n / 10 K
Input impedance	R _{LC}	413 ± 20	Ω
Output impedance	R _O	350 ± 25	Ω
Insulation impedance (100 V DC)	R _{IS}	≥ 5	GΩ
Recommended supply voltage	B _u	5 ... 15	V
Nominal ambient temperature range	B _T	-10 ... +40	°C
Usable ambient temperature range	B _{Tu}	-20 ... +65	°C

Technical Data

C3MR

Nominal deflection S_{nom} 0.56 ($E_{max} = 5$ kg); 0.46 ($E_{max} = 10$ kg);
0.39 ($E_{max} = 20$ kg); 0.38 ($E_{max} = 30$ kg);
0.37 ($E_{max} = 50$ kg); 0.39 ($E_{max} = 100$ kg);
0.48 ($E_{max} = 200$ kg) mm

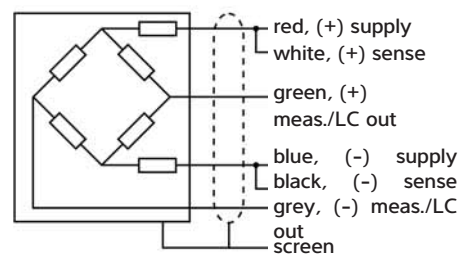
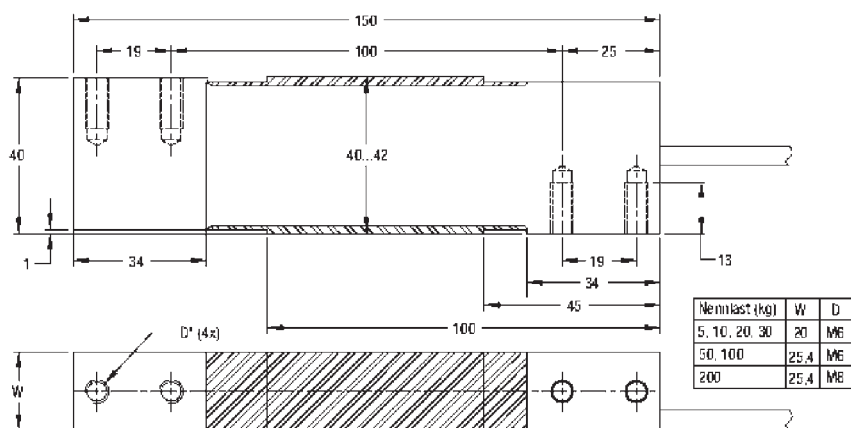
Cable length 1.5 m

Cable type 6 conductor TPE cable (AWG 26), shield grounded

Sensor material Aluminium

Protection class (acc. to IEC 529) IP67

The technical data given here serve only as a product description and must not be interpreted as guaranteed characteristics in legal sense.



Dimensions in mm

Wiring diagram

Type	Order Number
MP 71/5kgC3MR	9408 271 07005
MP 71/10kgC3MR	9408 271 07010
MP 71/20kgC3MR	9408 271 07020
MP 71/30kgC3MR	9408 271 07030
MP 71/50kgC3MR	9408 271 07050
MP 71/100kgC3MR	9408 271 07110
MP 71/200kgC3MR	9408 271 07120

Certificate of Conformity

MP 71 (optional)

Ex-Zone 2, 22
II 3G Ex nA II T6
II 3D Ex tD A22 IP65
T85°C

Specifications subject to change
without notice.
12.2018

Minebea Intec GmbH

Meiendorfer Straße 205A
22145 Hamburg

Phone +49.40.67960.303

sales.hh@minebea-intec.com
www.minebea-intec.com