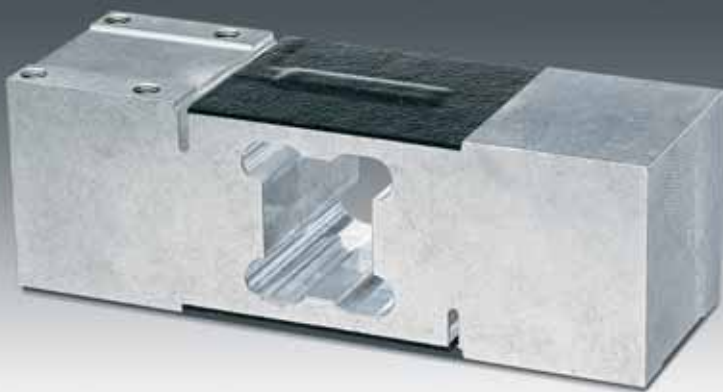


High Capacity Single Point Load Cell MP 72



30 kg ... 750 kg

- Aluminium alloy construction
- Compatible with other sources
- Single point 600 + 600 mm platform
- Approved according to OIML R60
- Ex version available

Applications

- Bench Scales
- Counting Scales
- Check Weighing Systems

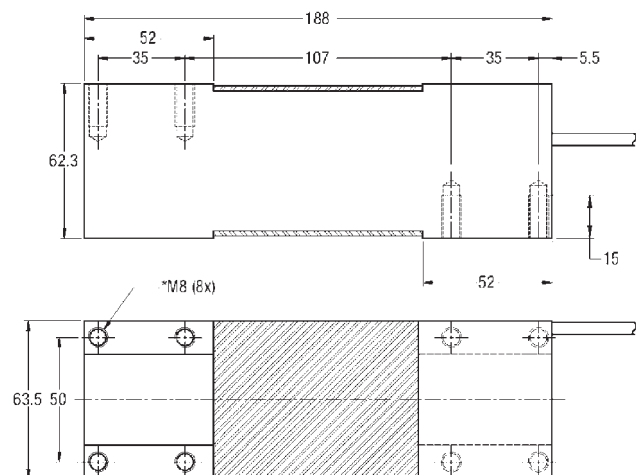
Technical Data		C3MR	
Accuracy class (Combined error)		0.02	% C _n
Maximum capacity	E _{max}	30 50 100 200 300 500 750	kg
Maximum usable load	E _u	150	% E _{max}
Destructive load	E _d	≥ 30	% E _{max}
Safe side load	E _{sq}	100	% E _{max}
Maximum number of LC intervals	n _{LC}	3,000	
Minimum LC verification interval v _{min} = E _{max} Y Y		15,000	
Rated output	C _n	2.0	mV/V
Tolerance on rated output	D _c	< ± 10	% C _n
Zero output signal	S _{min}	< ± 5	% C _n
Creep, during 30 min.	d _{cr}	< ± 0.016	% C _n
Temperature effect on S _{min}	TK _{Smin}	< ± 0.009	% C _n / 10 K
Temperature effect on C	TK _C	< ± 0.01	% C _n / 10 K
Input impedance	R _{LC}	413 ± 20	Ω
Output impedance	R _O	350 ± 25	Ω
Insulation impedance (100 V DC)	R _{IS}	≥ 5	GΩ
Recommended supply voltage	B _u	5 ... 15	V
Nominal ambient temperature range	B _T	-10 ... +40	°C
Usable ambient temperature range	B _{Tu}	-20 ... +65	°C

Technical Data

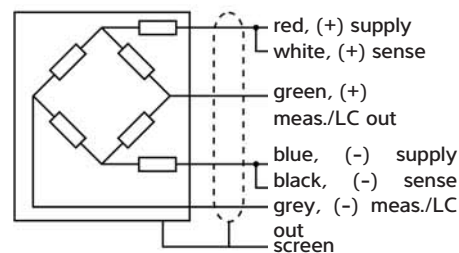
C3MR

Nominal deflection	S_{nom}	0.46 ($E_{max} = 30 \text{ kg}$); 0.49 ($E_{max} = 50 \text{ kg}$); mm 0.45 ($E_{max} = 100 \text{ kg}$); 0.38 ($E_{max} =$ 200 kg); 0.39 ($E_{max} = 300 \text{ kg}$); 0.44 (E_{max} = 500 kg); 0.50 ($E_{max} = 750 \text{ kg}$)
Cable length		3.0 m
Cable type		6 conductor TPE cable (AWG 26), shield grounded
Sensor material		Aluminium
Protection class (acc. to IEC 529)		IP67

The technical data given here serve only as a product description and must not be interpreted as guaranteed characteristics in legal sense.



Dimensions in mm



Wiring diagram

Type	Order Number	Type	Order Number
MP 72/30kgC3MR	9408 272 07030	MP 72/30kgC3MRE	9408 672 07030
MP 72/50kgC3MR	9408 272 07050	MP 72/50kgC3MRE	9408 672 07050
MP 72/100kgC3MR	9408 272 07110	MP 72/100kgC3MRE	9408 672 07110
MP 72/200kgC3MR	9408 272 07120	MP 72/200kgC3MRE	9408 672 07120
MP 72/300kgC3MR	9408 272 07130	MP 72/300kgC3MRE	9408 672 07130
MP 72/500kgC3MR	9408 272 07150	MP 72/500kgC3MRE	9408 672 07150
MP 72/750kgC3MR	9408 272 07175	MP 72/750kgC3MRE	9408 672 07175

Certificate of conformity

MP 72 (optional)

Ex-Zone 2, 22
II 3G Ex nA II T6
II 3D Ex tD A22 IP65 T85°C

MP 72/.E

Ex-Zone 0, 1, 20, 21
II 1G Ex ia IIC T6|T5 Ga
II 1D Ex ia IIIC IP67 T100°C
Da